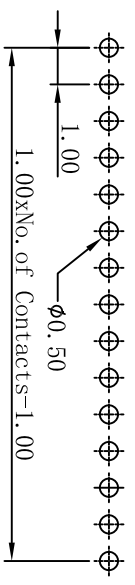
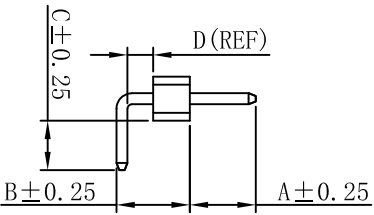
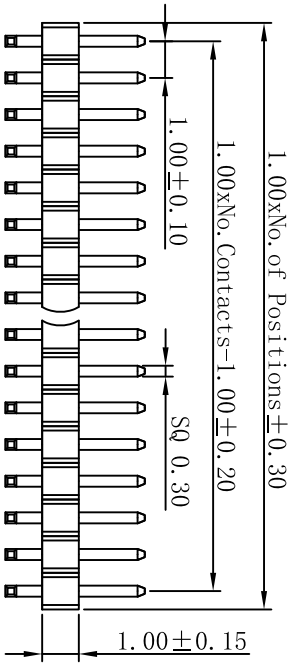
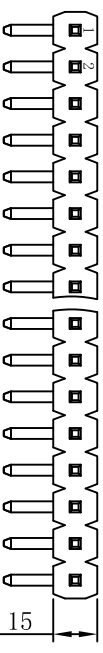


Rev No	Revision note	Date	Signature	Checked
A/0	NEW DRAWING	DEC. 07. 2020		



Recommended P.C.B Layout (Top Side)  
(PCB BOARD TOLERANCE ±0.05)

**Electrical:**

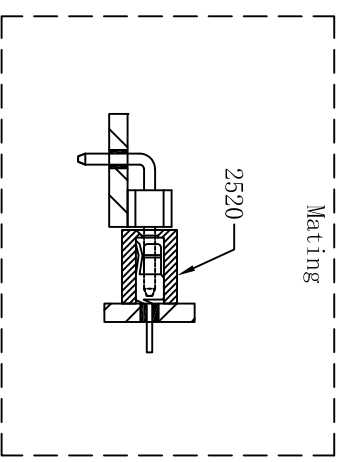
Current Rating: 0.75AMP.  
Contact Resistance: 30mΩ Max.  
Insulation Resistance: 1000MΩ Min.  
Withstanding Voltage: 500V AC/DC.

**Mechanical:**

Contact Material: Brass (SQ 0.30mm) .  
Contact Plating: Au or Sn Over Ni.  
Insulator Material: Polyester UL94V-0.  
Standard: PA6T.

**Environmental:**

Operating Temp Range: -55°C ~ +125°C with Gold  
-40°C ~ +105°C with Tin  
Max. Processing Temp: +230°C for 30~60 Seconds  
+260°C for 10 Seconds



**Ordering Code:**

1510-11 XX R XX X XXX 0 X 01

No. of Pins 01~50	Contract Plating G1=30" Gold G2=50" Gold G3=100" Gold G4=15U" Gold G5=30U" Gold S=GoldFlash/Tin S=White tin	Insulator Material A=BK-PPPT P=BK-PA6T C=BK-PA9T D=BK-TOP	Pin Length 1=A+C+D+1.6	Packaging O=PE Bag A=Tray
----------------------	----------------------------------------------------------------------------------------------------------------------------------	-----------------------------------------------------------------------	---------------------------	---------------------------------



PH1.00, SINGLE ROW, R/A, H=1.0

Dimension Antitheses List			
ITEM	Pin Length	A	B
Standard	5.50	2.00	2.00
Alternate		2.00	1.20
THIS DRAWING IS A CONTROLLED DOCUMENT			
DIMENSIONS INCHES			
TOLERANCES UNLESS OTHERWISE SPECIFIED			
0	PIC	±	0.40
1	PIC	±	0.25
2	PIC	±	0.15
3	PIC	±	0.10
4	PIC	±	3°

AWD	DATE	DATE	DATE
MIKE	DEC. 07. 2020	KATXUAN, XU	DEC. 07. 2020
PETER	DEC. 07. 2020		
MM	SCALE	SIZE	
5 : 1	A4		
594309442	FILE PATH	A/D/YTCOTZ/ Pin Header/1.00mm	
DRAWING NO. 1510-11R			
PART NO. 1510-11XXXXXXX0X01			
SHEET 1 OF 1			