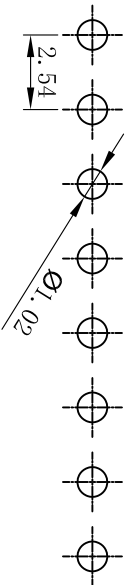
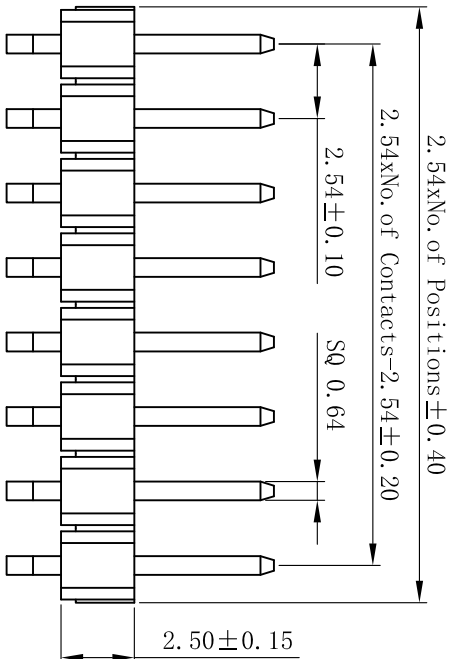
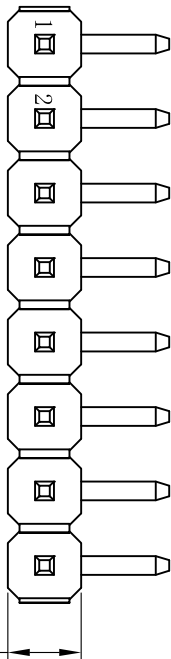
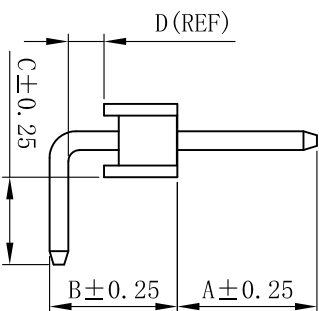


Rev No	Revision note	Date	Signature	Checked
A/0	NEW DRAWING	DEC. 07. 2020		



Recommended P, C, B Layout (Top Side)
(PCB BOARD TOLERANCE±0.05)



Dimension Antitheses List			
ITEM	Pin Length	A	B
Standard	14.00	6.00	4.36
Alternate			3.00

THIS DRAWING IS A CONTROLLED DOCUMENT

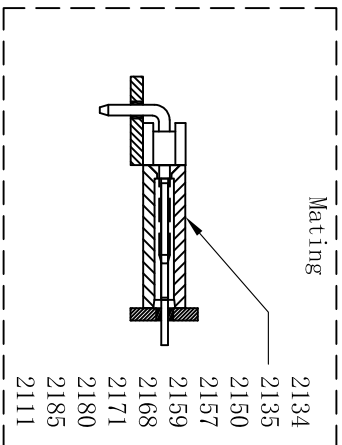
TOLERANCES UNLESS OTHERWISE SPECIFIED

DIMENSIONS INCHES	TOLERANCES UNLESS OTHERWISE SPECIFIED
0 P/C	± 0.40
1 P/C	± 0.25
2 P/C	± 0.15
3 P/C	± 0.10
4 P/C	± 0.10
ANGLES	± 3°

Electrical:
 Current Rating:3.0AMP.
 Contact Resistance:20mΩ Max.
 Insulation Resistance:1000MΩ Min.
 Withstanding Voltage:1000V AC/DC.

Mechanical:
 Contact Material:Brass (SQ 0.64mm) .
 Contact Plating:Au or Sn Over Ni.
 Insulator Material:Polyester UL94V-0.
 Standard:PA6T.

Environmental:
 Operating Temp Range:-55°C~+125°C with Gold
 -40°C~+105°C with Tin
 Max. Processing Temp:+230°C for 30~60 Seconds
 +260°C for 10 Seconds



Ordering Code:
 1125-11 XX R XX X XXX 1 X 01

No. of Pins 01~40	Contact Plating G1=Gold Flash G1=30" Gold G2=50" Gold G3=100" Gold G4=150" Gold G5=300" Gold S0=gold(Flash)/Tin S1=Flin S1=skelatte tin	Insulator Material A=BR-1PBT B=BR-PA6T C=BR-PA9T D=BR-LCP	Pin Length L=A+C+3.75	Packing Q=PE Bag A=Tray
----------------------	--	---	--------------------------	-------------------------------

YTCO TECHNOLOGY
 HTTP://WWW.YTCO.CO

DATE: DEC. 07. 2020
 CHK: KATXUAN, XU
 DATE: DEC. 07. 2020
 APPR: MIKE
 DATE: DEC. 07. 2020

TITLE: PH2. 54, SINGLE ROW,
 R/A, H=2.5, CONCAVE BENDING

PART NO: 1125-11XXXXXXX1X01
 DRAWING NO: 1125-11R

DATE CODE: 594309442
 FILE PATH: A/D/YTCOTZ/Pin Header/2.54mm

SCALE: 4 : 1
 SIZE: A4

SHEET: 1 OF 1
 REV: A