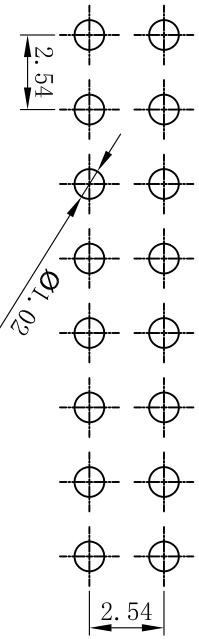
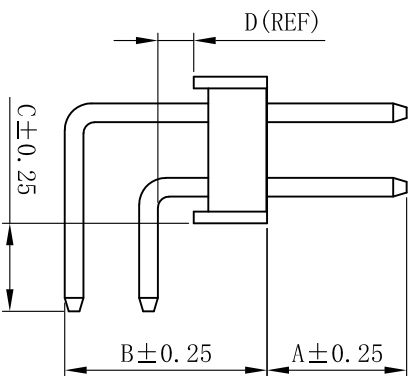
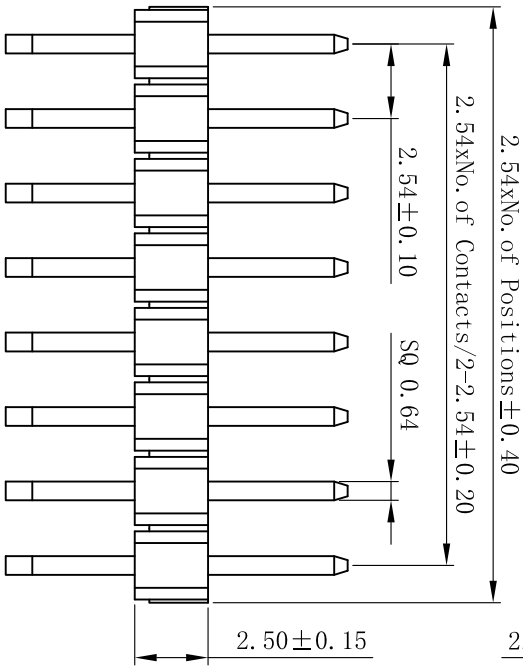
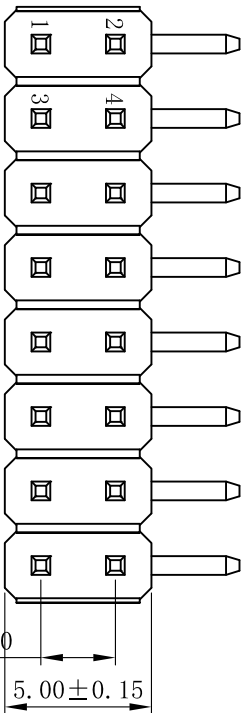


Rev No	Revision note	Date	Signature	Checked
A/0	NEW DRAWING	DEC. 07. 2020		



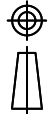
Recommended P, C, B Layout (Top Side)
(PCB BOARD TOLERANCE ±0.05)

ITEM	Pin Length	A	B	C
Standard	14.00	6.00	6.90	3.00
Alternate				

THIS DRAWING IS A CONTROLLED DOCUMENT

DIMENSIONS INCHES TOLERANCES UNLESS OTHERWISE SPECIFIED

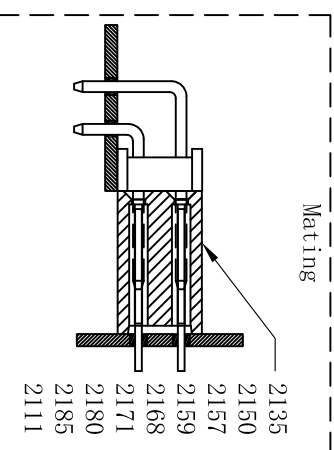
OTHERWISE SPECIFIED	0 P/C	±	0.40
1 P/C	±	0.25	
2 P/C	±	0.15	
3 P/C	±	0.10	
4 P/C	±	0.10	
ANGLES		±	3°



Electrical:
 Current Rating: 3.0AMP.
 Contact Resistance: 20mΩ Max.
 Insulation Resistance: 1000MΩ Min.
 Withstanding Voltage: 1000V AC/DC.

Mechanical:
 Contact Material: Brass (Sq 0.64mm) .
 Contact Plating: Au or Sn Over Ni.
 Insulator Material: Polyester UL94V-0.
 Standard: PA6T.

Environmental:
 Operating Temp Range: -55°C ~ +125°C with Gold
 -40°C ~ +105°C with Tin
 Max. Processing Temp: +230°C for 30~60 Seconds
 +260°C for 10 Seconds



Ordering Code:
 1125-12 XX R XX X XXX 1 X 01

No. of Pins Perfor: 02-40	Insulator Material A=BK-1PBT B=BK-PA6T C=BK-PA9T D=BK-LCP	Pin Length (Short) L=A+C+3.75	Packing 0=PE Bag A=Tray
Contact Plating G1=30" Gold G2=50" Gold G3=100" Gold G4=150" Gold G5=300" Gold S0=gold flash/Tin S1=Flin S1=skettle tin			

DATE: DEC. 07. 2020
 DRAWING NO.: 1125-12R
 PART NO.: 1125-12XXXXXXX1X01
 TITLE: PH2. 54, DUAL ROW, R/A, H=2.5, CONCAVE BENDING
 URL: [HTTP://WWW.YTCO.CO](http://www.ytco.co)
YTCO TECHNOLOGY
 DATE: DEC. 07. 2020
 DRAWING NO.: 1125-12R
 PART NO.: 1125-12XXXXXXX1X01
 TITLE: PH2. 54, DUAL ROW, R/A, H=2.5, CONCAVE BENDING
 URL: [HTTP://WWW.YTCO.CO](http://www.ytco.co)