

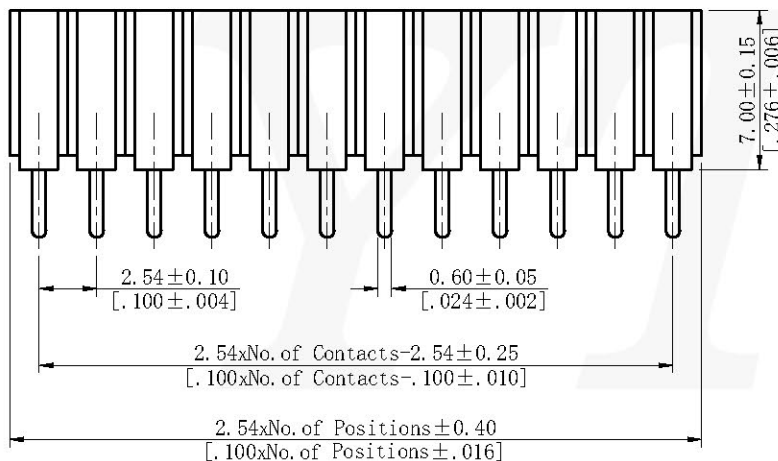
TECHNICAL SPECS:

Current Rating:3.0AMP
 Contact Resistance:10mΩ Max
 Dielectric Strength:Min 1000Vrms
 Mechanical Life:Min 500 Cycles
 Mating Pin:∅0.64 to ∅0.90mm
 Forces:(polished steel gauge ∅0.76mm)
 -insertion:1.2N typ
 -withdrawal:0.6N typ
 Operation Temperature:-40℃~+105℃

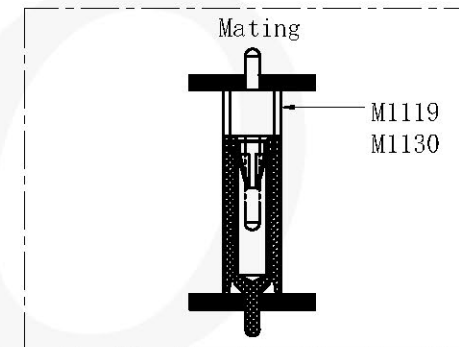
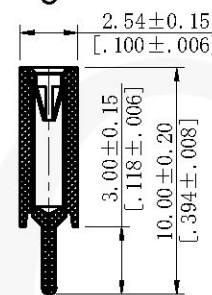
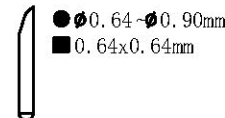
Material

Sleeve:Brass
 Sleeve Plating:Au or Sn Over Ni.
 Contact Clip(6 finger):BeCu, Gold Flash Plated
 Insulator Material:Glass Filled Polyester(UL94V-0)
 Standard:PPS

*Pin Part No. :MF1000A-BXX651XX001



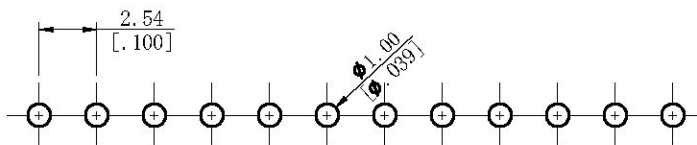
Mating Pin



Ordering Code:

M2170-1 XX S XX 1000A X 01

No. of Pins 02~40	Clip/Sleeve Plating S0=GoldFlash/Tin S1=3u" Gold/Tin S2=5u" Gold/Tin S3=10U"Gold/Tin S4=15U"Gold/Tin S5=30U"Gold/Tin C0=Gold Flash SN=Tin	Packing O=PE Bag A=Tray T=Tube
----------------------	---	---



Recommended P.C.B Layout(Top Side)
 (PCB BOARD TOLERANCE±0.05)



ISSUE DRAWING IS A CONTROLLED DOCUMENT

TOLERANCES UNLESS OTHERWISE SPECIFIED	UNITS mm/inch	SCALE FIT	SIZE A4
0 PLC ± —	Drawn By <i>Xu</i>	DATE 7/30/2022	TITLE 2.54MM SIP SOCKET SINGLE ROW STRAIGHT DIP H7.0 L10.0MM
1 PLC ± 0.30/.012	ENGINEER <i>Zhang</i>	DATE 7/30/2022	PART NO. M2170-1XXSXX1000AX01
2 PLC ± 0.25/.010	CHECKED BY <i>Mike</i>	DATE 7/30/2022	DRAWING NO. M2170-S1000A
3 PLC ± 0.20/.008	APPROVED BY <i>Andy</i>	DATE 7/30/2022	PROJ. 594309442
4 PLC ± 0.10/.004	FILE PATH A/D/YTCOTZ/SIP SOCKET/2.54mm	SHEET 1 OF 1	REV A
ANGLES ± 3°			



YTCO TECHNOLOGY
 HTTP://WWW.YTCO.CO E-MAIL:SALES@YTCO.CO