

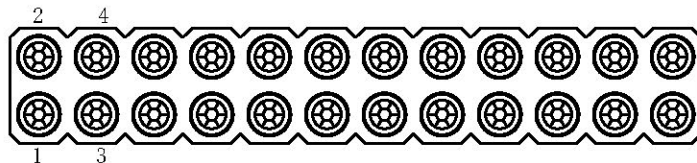
TECHNICAL SPECS:

Current Rating: 3.0AMP
 Contact Resistance: 10mΩ Max
 Dielectric Strength: Min 1000Vrms
 Mechanical Life: Min 500 Cycles
 Mating Pin: ∅0.64 to ∅0.90mm
 Forces: (polished steel gauge ∅0.76mm)
 -insertion: 1.2N typ
 -withdrawal: 0.6N typ
 Operation Temperature: -40°C ~ +105°C

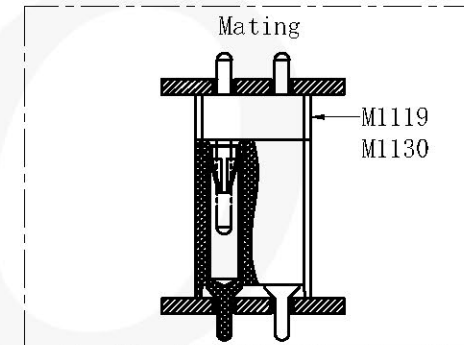
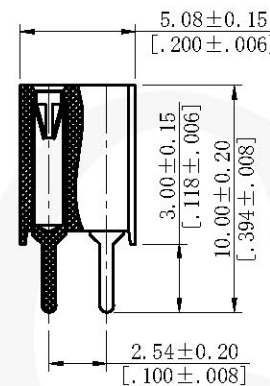
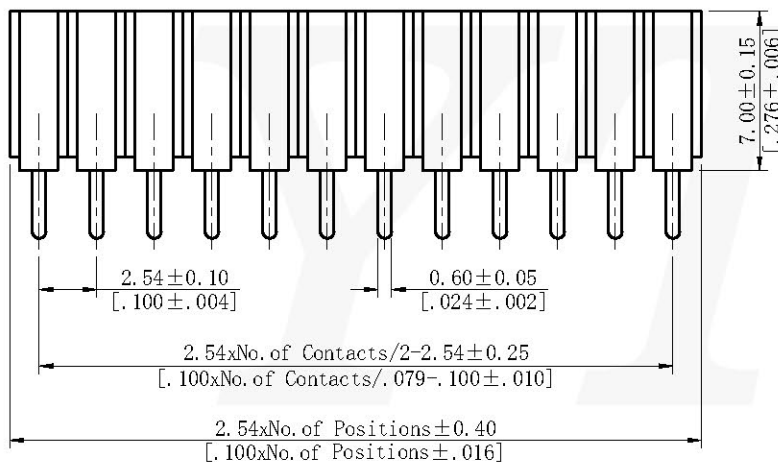
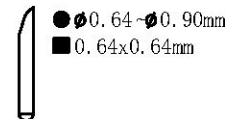
Material

Sleeve: Brass
 Sleeve Plating: Au or Sn Over Ni.
 Contact Clip (6 finger): BeCu, Gold Flash Plated
 Insulator Material: Glass Filled Polyester (UL94V-0)
 Standard: PPS

*Pin Part No.: MF1000A-BXX651XX001



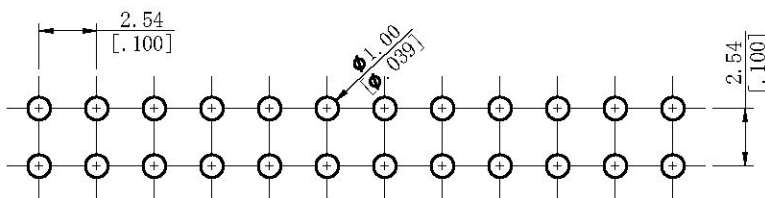
Mating Pin



Ordering Code:

M2170-2 XX S XX 1000A X 01

No. of Pins Per Row: 02~40	Clip/Sleeve Plating S0=GoldFlash/Tin S1=3u" Gold/Tin S2=5u" Gold/Tin S3=10U" Gold/Tin S4=15U" Gold/Tin S5=30U" Gold/Tin C0=Gold Flash SN=Tin	Packing O=PE Bag A=Tray T=Tube
-------------------------------	--	---



Recommended P.C.B Layout (Top Side)
 (PCB BOARD TOLERANCE ± 0.05)



THIS DRAWING IS A CONTROLLED DOCUMENT



YTCO TECHNOLOGY

HTTP://WWW.YTCO.CO E-MAIL: SALES@YTCO.CO

TOLERANCES UNLESS OTHERWISE SPECIFIED	UNITS mm/inch	SCALE FIT	SIZE A4	TITLE 2.54MM SIP SOCKET DUAL ROW STRAIGHT DIP H7.0 L10.0MM
0 PLC ± —	DRWN BY <i>Xu</i>	DATE 7/30/2022	CHECKED BY <i>Zhang</i>	DATE 7/30/2022
1 PLC ± 0.30/.012	ENGINEER	DATE	CHECKED BY <i>Mike</i>	DATE 7/30/2022
2 PLC ± 0.25/.010	APPROVED BY <i>Andy</i>	DATE 7/30/2022	CHECKED BY <i>Andy</i>	DATE 7/30/2022
3 PLC ± 0.20/.008	PROJ.	FACE CODE 594309442	FILE PATH A/D/YTCOTZ/SIP SOCKET/2.54mm	SHEET 1 OF 1
4 PLC ± 0.10/.004	ANGLES ± 3°			REV A