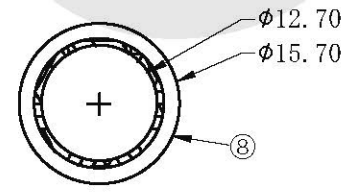
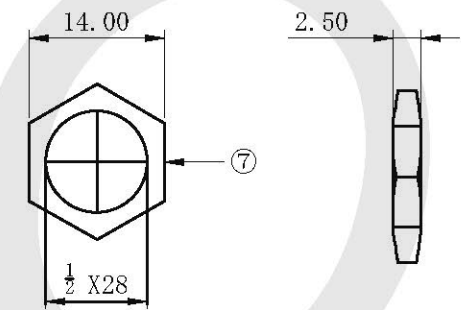
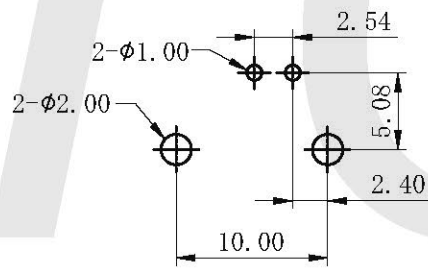
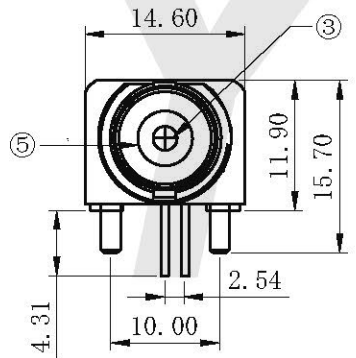
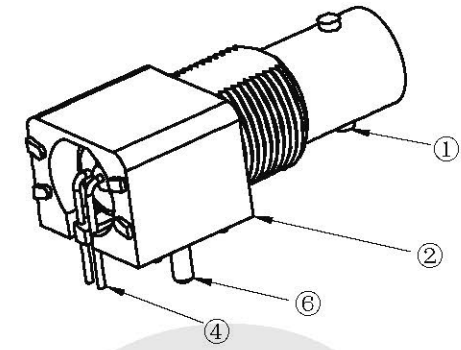
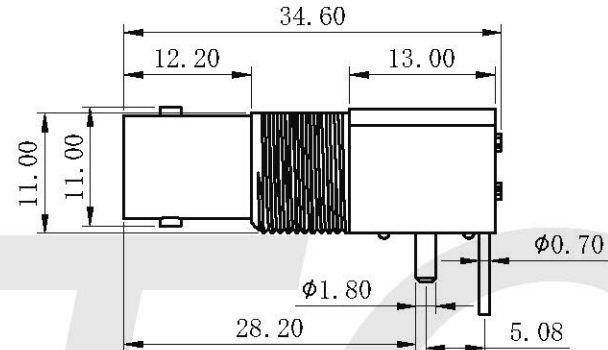
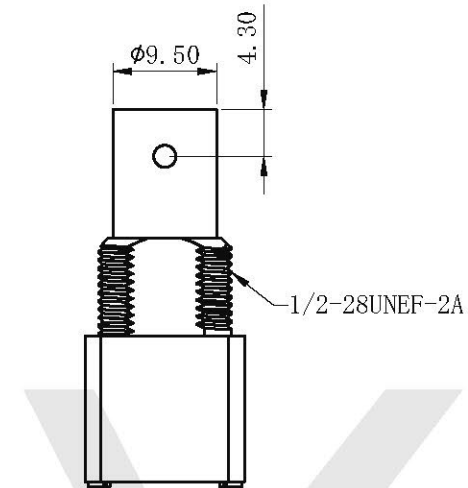


RoHS Compliant

\*Due To Technical Progress, All The Information Provided Is Subject To Change Without Prior Notice.

Rev No	Revision note	Date	Signature	Checked
A/0	NEW DRAWING	DEC. 07. 2020		



8	GASKET	STEEL/PLATED NICKEL	1
7	SCREW NUT	BRASS/PLATED NICKEL	1
6	MOUNTING POST	STEEL/PLATED TIN	2
5	INSULATOR	POM	2
4	SOLDER TAIL	BRASS/PLATED TIN	2
3	CONTACT	BRASS/PLATED GOLD	1
2	HOUSING	PBT WHITE	1
1	BODY	ZINC DIECAST	1
ITEM	DESCRIPTION	MATERIAL&PLATING	QTY

THIS DRAWING IS A CONTROLLED DOCUMENT

DRN	DATE	<b>YTCO TECHNOLOGY</b> <a href="http://www.ytco.co">HTTP://WWW.YTCO.CO</a>	
KAI XUAN, XU	DEC. 07. 2020		
CHK	DATE	TITLE	
MIKE	DEC. 07. 2020	BNC R/A INSULATED PCB SOCKET WHITE	
APVD	DATE	PART NO.	
PETER	DEC. 07. 2020	RF01-101S01	
UNITS	SCALE	SIZE	
MM	2 : 1	A4	
CAGE CODE	FILE PATH	DRAWING NO.	
594309442	A/D/YTCOTZ/RF CONNECTOR/BNC	RF01	
		SHEET	REV
		1 OF 1	A