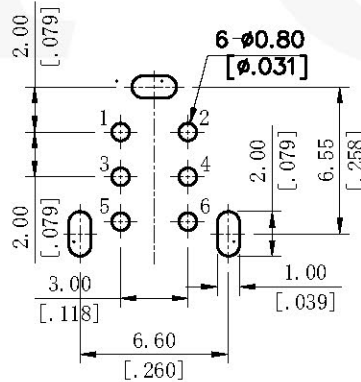
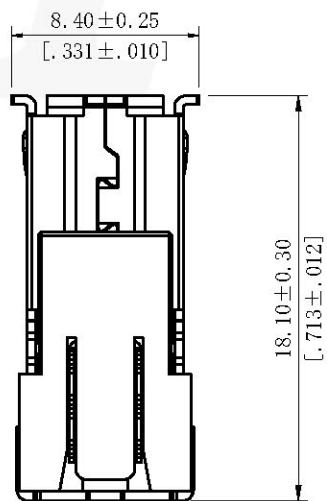
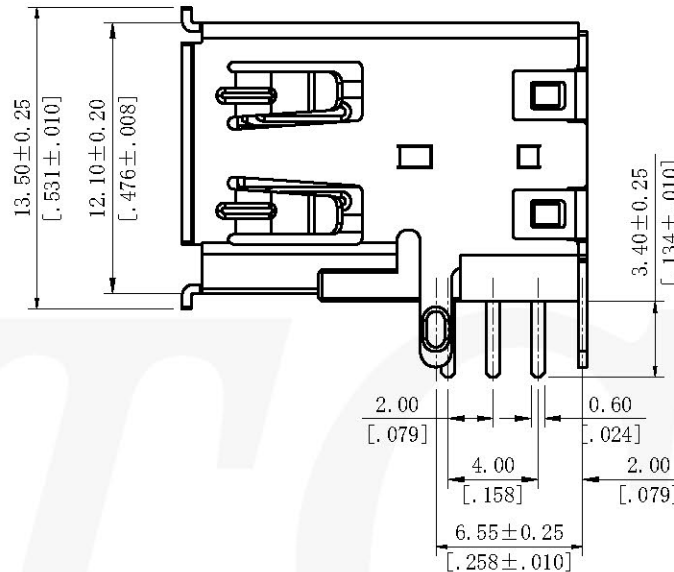
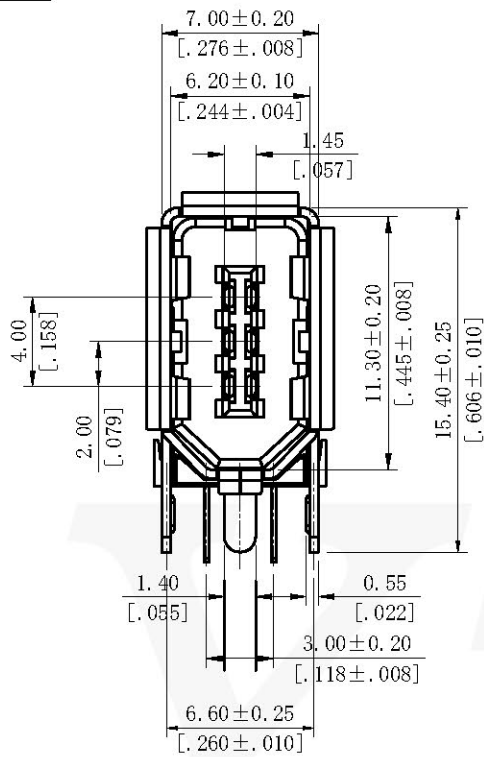


REV	REVISION	NAME	DATE



Recommended P.C.B Layout (Top Side)  
(PCB BOARD TOLERANCE ±0.05)

**Electrical:**  
 Voltage Rating:40V AC/DC  
 Current Rating:1.5AMP Max  
 Contact Resistance:30mΩ Max  
 Insulation Resistance:100MΩ Min  
 Dielectric Withstanding Voltage:500V AC

**Mechanical:**  
 Housing Material:PBT/LCP (UL94V-0)  
 Contact Material:Copper Alloy  
 Contact Plating:Gold Or Tin Plating Over Nickel.  
 Shell:Copper Alloy  
 Back Shell:Ferro Alloy  
 Shell Plating:Gold Or Nickel

**Environmental:**  
 Operating Temp Range:-40°C~+85°C

Ordering Code:  
 6491-06FU XX B XX X A 01

Contact Plating S0=GoldFlash/Tin S1=3u" Gold/Tin S2=5u" Gold/Tin S3=10U"Gold/Tin S4=15U"Gold/Tin S5=30U"Gold/Tin G0=Gold Flash	Shell Plating NI=Nickel G0=Gold Flash G1=3u" Gold G2=5u" Gold G3=10U"Gold G4=15U"Gold G5=30U"Gold	Color Insulator B=Black W=White U=Blue R=Red Y=Yellow
---	--	--



ITEM	Part No.
Standard	6491-06FUSOBNIBA01
Alternate	

THIS DRAWING IS A CONTROLLED DOCUMENT

TOLERANCES UNLESS OTHERWISE SPECIFIED	UNITS mm/inch	SCALE FIT	SIZE A4
0 PLC ± —			
1 PLC ± 0.30/.012			
2 PLC ± 0.25/.010			
3 PLC ± 0.20/.008			
4 PLC ± 0.10/.004			
ANGLES ± 3°			

	<b>YTCO TECHNOLOGY</b> HTTP://WWW.YTCO.CO E-MAIL:SALES@YTCO.CO
TITLE	IEEE 1394 RIGHT-ANGLE UPRIGHT RECEPTACLE CONNECTOR
PART NO.	6491-06FUXBXXXA01
DRAWING NO.	6491-06FU
FILE PATH	A/D/YTCOTZ/IEEE 1394
SHEET	1 OF 1
REV	A